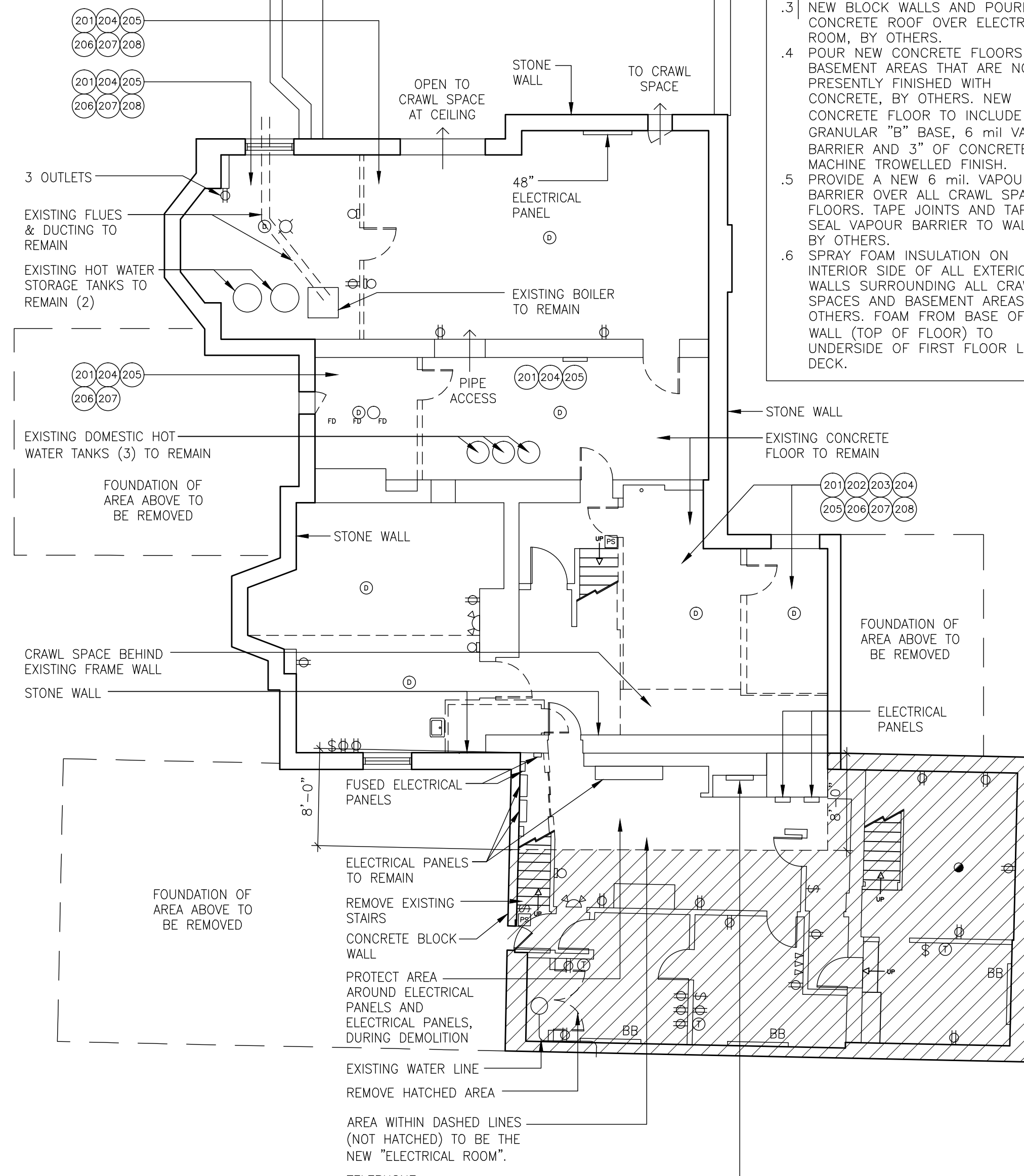


**BASEMENT DEMOLITION REFERENCED NOTES:**

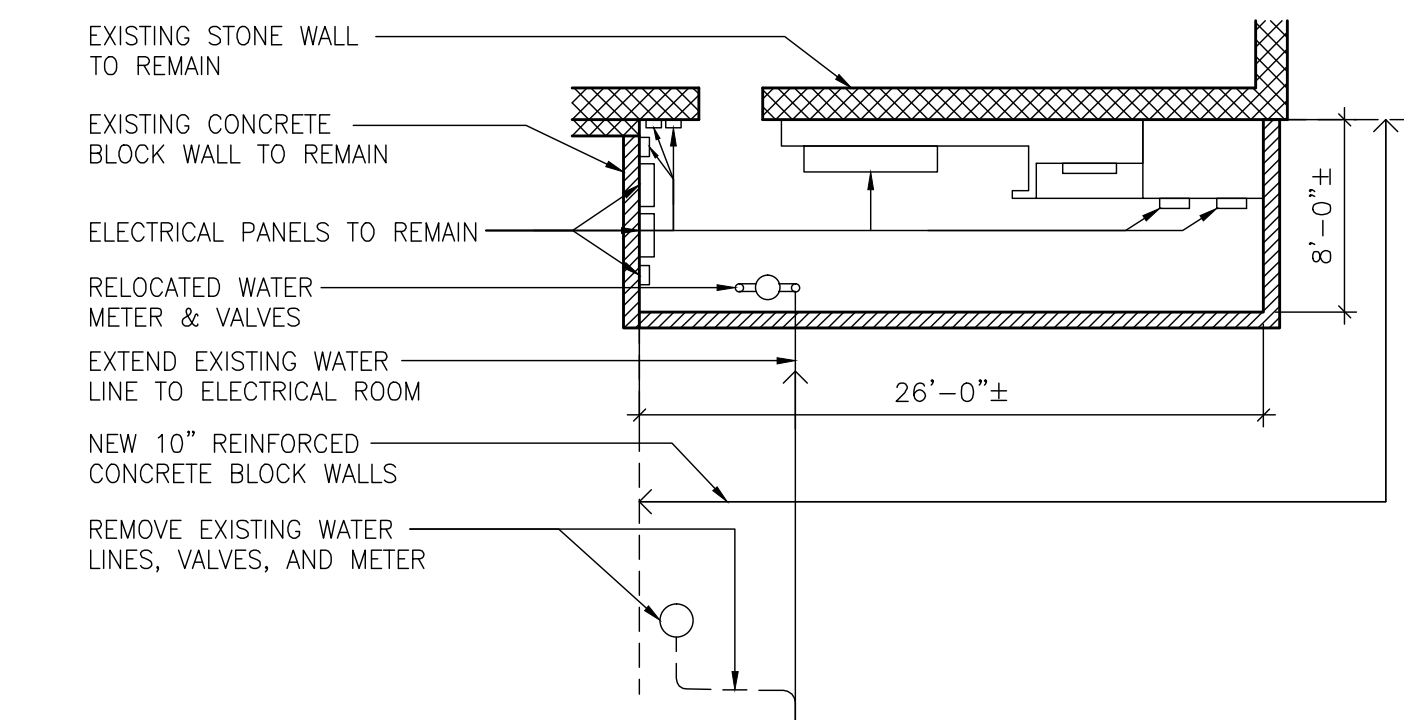
201. REMOVE ALL DETECTORS, LIGHTING, SHELVING, AND FLOORING TO BARE CONCRETE OR SOIL. LEAVE ALL COLUMNS IN PLACE.
202. REMOVE ALL CONDUIT IN PLACE.
203. REMOVE ALL EXISTING BARE WIRING AND SURFACE MOUNTED ELECTRICAL BOXES.
204. REMOVE ALL TELEPHONE AND DATA CABLING.
205. REMOVE ALL PARTITIONS INCLUDING EXTERIOR WALL WOOD STUD FRAMING AND FINISHES.
206. REMOVE WOOD FLOORING, INCLUDING, WHERE APPROPRIATE, CARPET AND RUBBER FLOORING.
207. REMOVE BENCH, SHELVES AND WALL FRAMING.



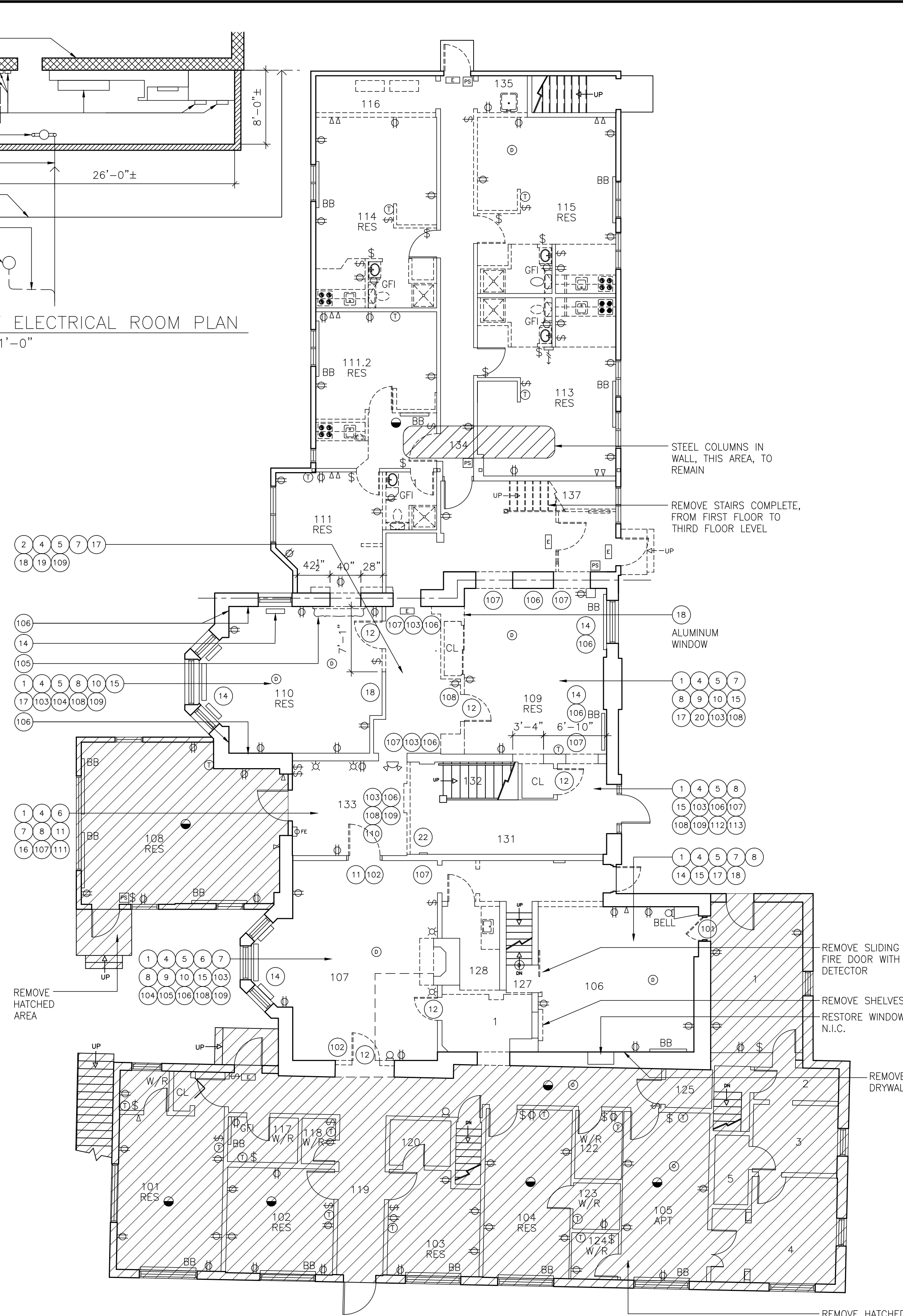
**1 BASEMENT FLOOR DEMOLITION PLAN**  
D1.0 SCALE: 1/8"=1'-0"

**NOTES:**

- .1 ALL ELECTRICAL PANELS SHOWN ON BASEMENT PLAN ARE TO REMAIN.
- .2 RELOCATE THE EXISTING WATER METER, PLUMBING LINES AND VALVES TO THE NORTH WALL OF THE NEW ELECTRICAL ROOM.
- .3 NEW BLOCK WALLS AND POURED CONCRETE ROOF OVER ELECTRICAL ROOM, BY OTHERS.
- .4 POUR NEW CONCRETE FLOORS, ALL BASEMENT AREAS THAT ARE NOT PRESENTLY FINISHED WITH CONCRETE, BY OTHERS. NEW CONCRETE FLOOR TO INCLUDE A 4" GRANULAR "B" BASE, 6 mil VAPOUR BARRIER AND 3" OF CONCRETE, MACHINE TROWELLED FINISH.
- .5 PROVIDE A NEW 6 mil. VAPOUR BARRIER OVER ALL CRAWL SPACE FLOORS, TAPE JOINTS AND TAPE SEAL VAPOUR BARRIER TO WALLS, BY OTHERS.
- .6 SPRAY FOAM INSULATION ON INTERIOR SIDE OF ALL EXTERIOR WALLS SURROUNDING ALL CRAWL SPACES AND BASEMENT AREAS, BY OTHERS. FOAM FROM BASE OF WALL (TOP OF FLOOR) TO UNDERSIDE OF FIRST FLOOR LEVEL DECK.



**3 BASEMENT ELECTRICAL ROOM PLAN**  
D1.0 SCALE: 1/8"=1'-0"



**2 MAIN FLOOR DEMOLITION PLAN**  
D1.0 SCALE: 1/8"=1'-0"

**DEMOLITION REFERENCED NOTES:**

- .1 REMOVE EXISTING CARPETING, INCLUDING STAIR CARPETING WHERE APPROPRIATE.
- .2 REMOVE EXISTING SHEET VINYL FLOORING OR VCT FLOORING AS APPROPRIATE.
- .3 REMOVE EXISTING SCREWS, HOOKS, ACCESSORIES, PLUGS AND SIMILAR ITEMS ON WALLS, GENERALLY, ALL AREAS.
- .4 REMOVE EXISTING SURFACE WIRING AND/OR CONDUIT.
- .5 REMOVE EXISTING CEILING LIGHT FIXTURES.
- .6 REMOVE EXISTING WALL LIGHT FIXTURES.
- .7 REMOVE EXISTING SURFACE MOUNTED CONTROL SWITCHES AND ELECTRICAL BOXES.
- .8 REMOVE EXISTING BELLS, HORNS, CHIMES, ANNUNCIATORS/INDICATORS, EMERGENCY LIGHTING, THERMOSTATS & PULL STATIONS.
- .9 REMOVE EXISTING BULLETIN BOARDS, POSTERS, PICTURES ON WALLS, AND MIRRORS.
- .10 REMOVE EXISTING CURTAINS AND RODS/CURTAIN TRACK AND BLINDS.
- .11 REMOVE EXISTING DOOR.
- .12 REMOVE EXISTING DOOR & FRAME.
- .13 REMOVE EXISTING SINK, MEDICINE CABINET, VANITY, WATER CLOSET AND TUB/SHOWER. CAP OFF PLUMBING SUPPLY AND WASTE.
- .14 REMOVE EXISTING BASEBOARD HEATERS.
- .15 REMOVE EXISTING SMOKE DETECTOR/HEAT DETECTOR.
- .16 REMOVE EXISTING PORTABLE FIRE EXTINGUISHER.
- .17 REMOVE EXISTING ACOUSTIC TILE CEILING ASSEMBLY INCLUDING PANELS AND GRID, COMPLETE.
- .18 REMOVE EXISTING 4" WOOD BASE.
- .19 REMOVE EXISTING CABINETS, INCLUDING SINK, CAP OFF PLUMBING SUPPLY AND WASTE.
- .20 REMOVE EXISTING CLOSET ROD/SHELF.
- .21 REMOVE EXISTING TELEPHONE (PAY PHONE).
- .22 REMOVE WALL COMPLETE, FLOOR TO CEILING, WALL TO WALL.
- .23 REMOVE EXISTING BUILT-IN TABLE.
- .24 REMOVE EXISTING RECIRCULATING EXHAUST FAN OVER STOVE.
- .25 REMOVE EXISTING APPLIANCES INCLUDING UNDER COUNTER FRIDGE AND STOVE.
- .26 REMOVE EXISTING STORAGE LOCKERS.
- .27 REMOVE EXISTING JANITORIAL SINK, CAP OFF PLUMBING SUPPLY AND WASTE.
- .28 REMOVE EXISTING CEILING EXHAUST FAN UNITS IN ALL WASHROOMS, GENERALLY.
- .29 REMOVE AND SALVAGE ALL VINYL WINDOWS LOCATED IN BUILDING AREAS TO BE REMOVED.
- .30 REMOVE AND SALVAGE ALL ELECTRIC BASEBOARD HEATERS LOCATED IN BUILDING AREAS TO BE REMOVED. REMOVE AND SALVAGE ALL FULL SIZED 2'x4' CEILING TILE PANELS BEING REMOVED IN AREA TO REMAIN AND IN BUILDING AREAS BEING DEMOLISHED.
- .31 REMOVE AND SALVAGE ALL DOORS AND DOOR HARDWARE IN AREAS WHERE BUILDING AREAS TO BE DEMOLISHED AND OTHER AREAS WHERE REMOVED AND NO LONGER REQUIRED IN PRESENT LOCATION.
- .32 REMOVE AND SALVAGE ALL PLUMBING FIXTURES.
- .33 REMOVE AND SALVAGE ALL APPLIANCES.
- .101 RESTORE ORIGINAL WINDOW/DOORS TO VERANDA. SEE ELEVATION DETAILS >>> BY OTHERS.
- .102 REMOVE EXISTING METAL DOOR FRAME AND TRANSOM PANEL ABOVE DOOR FRAME; BUT LEAVE EXISTING ORIGINAL WOOD DOOR FRAME AND TRIM, THIS CONTRACT. REBUILD FRAME AND DOOR. SEE DETAIL >>> BY OTHERS.
- .103 PROTECT AND RETAIN EXISTING/ ORIGINAL PLASTER CORNICE.
- .104 PROTECT AND RETAIN EXISTING/ ORIGINAL WOOD WINDOWS, WINDOW FRAMING AND TRIM, FLOOR TO CEILING.
- .105 PROTECT AND RETAIN EXISTING ORIGINAL FIREPLACE MANTLE AND HEARTH. REMOVAL BY OTHERS.
- .106 PROTECT AND RETAIN EXISTING/ ORIGINAL BASEBOARD.
- .107 PROTECT AND RETAIN EXISTING/ ORIGINAL DOOR AND/OR WINDOW FRAME.
- .108 PROTECT AND RETAIN EXISTING/ ORIGINAL PLASTER CEILING.
- .109 PROTECT AND RETAIN EXISTING/ ORIGINAL PLASTER WALLS.
- .110 PROTECT AND RETAIN EXISTING/ ORIGINAL PLASTER CEILING MEDALLION.
- .111 REBUILD ORIGINAL FRONT ENTRY DOOR, SIDELITES WINDOWS AND TRANSOM LITE. SEE DETAIL >>> BY OTHERS.
- .112 PROTECT AND RETAIN ORIGINAL WOOD STAIR INCLUDING STEPS AND RAILINGS.
- .113 PROTECT AND RETAIN ORIGINAL STAINED WOODWORK ON SIDE OF STAIRS.

A	Detail No
B	Location Sheet
C	Detailed On

PLOT DATE: AUG 14 09

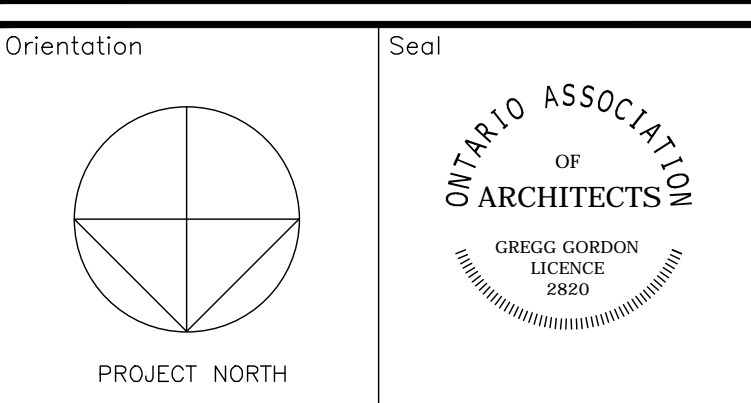
**LEGEND**

	AREA TO BE DEMOLISHED
	AREA TO BE DEMOLISHED
	SMOKE/HEAT DETECTOR
	CEILING LIGHT FIXTURE
	LIGHT SWITCH
	DOUBLE LIGHT SWITCH
	EXHAUST FAN
	ELECTRICAL OUTLET WITH GROUND FAULT INTERRUPTER
	ELECTRICAL OUTLET
	THERMOSTAT
	WALL MOUNTED LIGHT FIXTURE
	DATA/TELEPHONE OUTLET
	ELECTRICAL PANEL
	ALARM BELL
	DOUBLE HEAD EMERGENCY LIGHT
	ELECTRICAL BASEBOARD
	EXIT LIGHT
	PULL STATION

No.	Date	Revision	By

**Gregg Gordon Architect**  
516 Hunter Street West  
Peterborough, Ontario  
K9H 2N1

Tel. (705) 876-6548  
Fax. (705) 876-9206



Orientation Seal  
PROJECT NORTH

Project  
**BRADBURN HOUSE**  
293 LONDON STREET  
PETERBOROUGH, ON

Client  
**PETERBOROUGH HOUSING CORPORATION**  
PETERBOROUGH, ON

Drawing Title  
**BASEMENT & MAIN FLOOR DEMOLITION PLANS**

Drawn By J. ROBERTS	Date JULY 2009
Checked By G. GORDON	Scale AS NOTED
Project No 08029	Sheet No D1.0
	Rev. No -