

Addendum #6

July 15, 2015

The following information supplements and/or supersedes the bid documents. This Addendum forms part of the contract documents and is to be read, interpreted, and co-ordinated with all other parts. The cost of all contained herein is to be included in the contract sum. The following revisions supersede the information contained in the original drawings issued for the above-named project to the extent referenced and shall become a part thereof. Acknowledge receipt of this Addendum by inserting its number and date on the Tender Form. Failure to do so may subject the Bidder to disqualification.

.1 **Electrical Site Work:**

1. **General:**

1. See the attached documents prepared by Kirkland Engineering.

.1 **Architectural:**

1. **Roofing and Framing, Drawing A2.3:**

1. The Roof Drawing shows the locations of the existing perimeter walls and implies that the parapets above the existing roof are existing. In fact all of the parapets will be new this Contract. These parapets will be framed to match other newly framed parapets constructed to the south of the firewall. Remove the existing roof membranes a minimum of 4'-0" around the full perimeter of the existing roof in order to frame the parapet walls as shown. Provide new roofing on both sides of these new parapets in built up tar and gravel roofing to match new roofing being installed to the south of the new firewall.

End of Addendum #6

July 15, 2015
Project: 5565

Gregg Gordon, Architect
516 Hunter Street West
Peterborough, ON
K9H 2N1

Attention: Gregg Gordon

Electrical Addendum No. E1

Project: The Firehouse Complex, 721 Monaghan Rd., Peterborough, Ontario

General

The following shall constitute the electrical portion of the addendum to be issued by Gregg Gordon, Architect. Bidders are to include the following in the tender price.

1. Drawing E1 (re-issued)

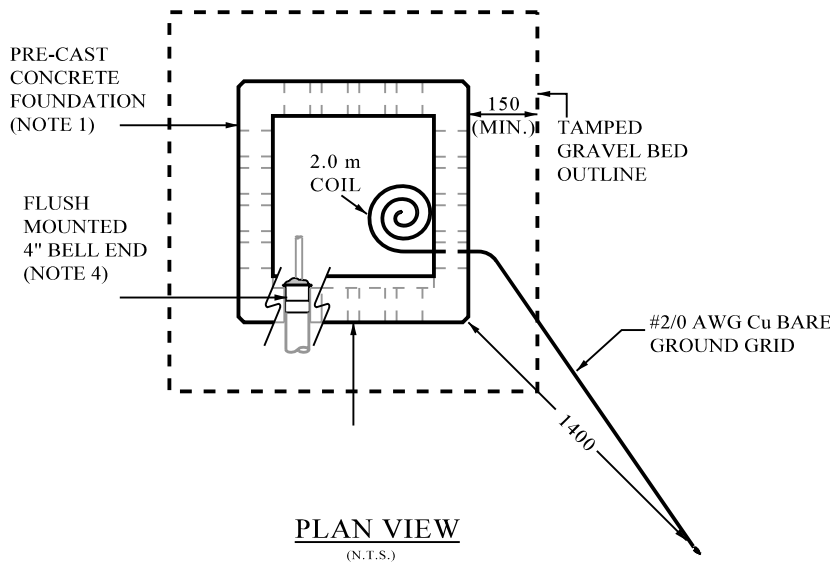
1. As noted on drawing, contractor to supply and install concrete vault as per local utility standards. Local utility to supply and install junction box on top of vault.
2. As noted on drawing, conduits for underground communications feeders to be 50mm diameter and be installed at 450mm below grade.
3. See attached Peterborough Utilities specifications for the installation of the vault for the junction box.

END OF ELECTRICAL ADDENDUM E1



Ian Kirkland, P.Eng.
Electrical Engineer

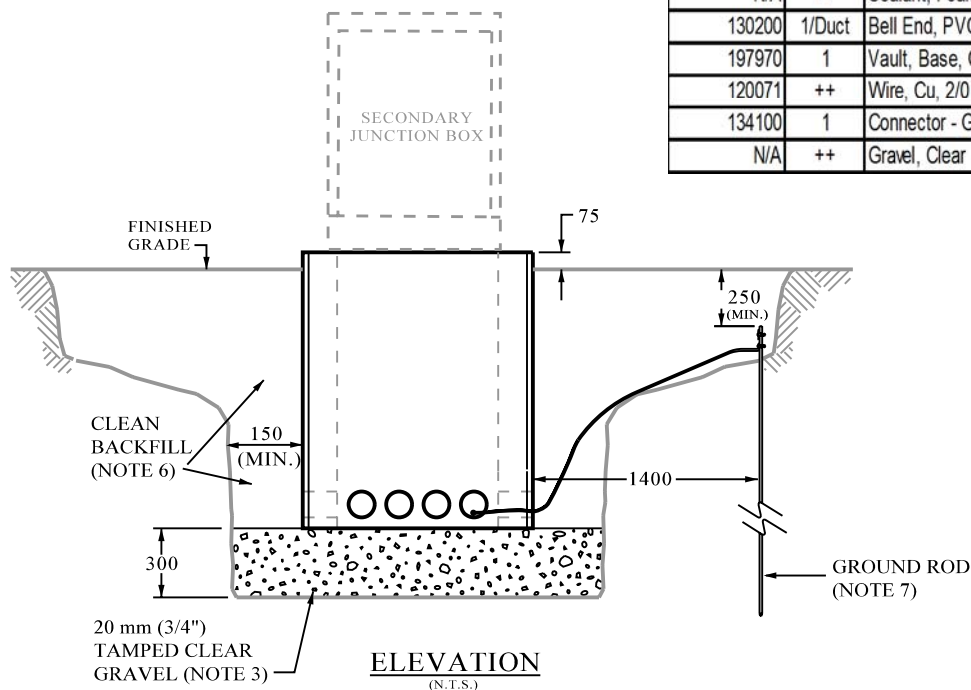
TYPICAL INSTALLATION OF PRE-CAST CONCRETE FOUNDATION AND GROUND GRID FOR TYPICAL SECONDARY JUNCTION BOX



NOTES:

1. THE FOUNDATION SHALL BE OF A TYPE APPROVED BY THE DISTRIBUTOR.
2. THE FOUNDATION SHALL BE ORIENTED AS PER STD. 37-500A TO 37-500F.
3. GRAVEL BEDDING, FOUNDATION AND GROUND GRID INSTALLATION ARE ALL SUBJECT TO DISTRIBUTOR'S INSPECTION.
4. DUCTS AND LIFTING HOLES SHALL BE SEALED WITH FOAM.
5. UNUSED HOLES SHALL BE LEFT ALONE WITH PLASTIC SEAL INTACT.
6. PLACE BACKFILL IN THOROUGHLY COMPACTED LAYERS.
7. REFER TO STD. 41U-110, DETAIL 4 FOR GROUND ROD INSTALLATION. (MINIMUM OF 1)

BILL OF MATERIALS (REF. PUSI STORES CATALOGUE)		
Part Number	Quantity	Description
184515	4	Ground Rod, 3/4" x 10', Cu clad
N/A	++	Sealant, Foam, Duct
130200	1/Duct	Bell End, PVC, 4", Type DB2/ES2, CSA C22.2#211.1
197970	1	Vault, Base, Concrete, Secondary JB
120071	++	Wire, Cu, 2/0 AWG -Stranded/Soft
134100	1	Connector - Ground Rod wire
N/A	++	Gravel, Clear



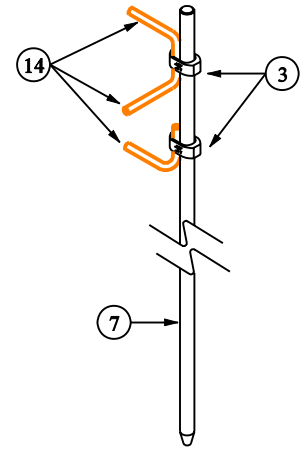
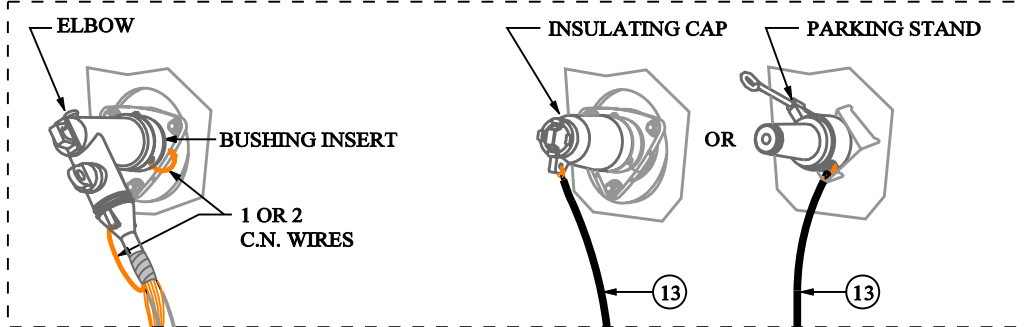


Peterborough
Distribution Inc.

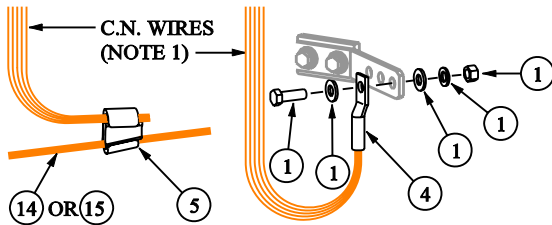
TYPICAL GROUNDING DETAILS FOR U/G PLANT INSTALLATION 2.4/4.16kV TO 16/27.6kV

REFERENCE
NUMBER
41U-110
R2 (SEPT. 2011)

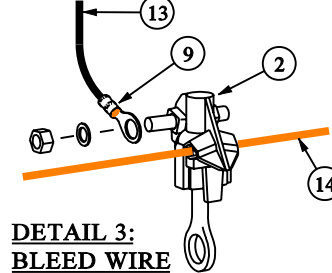
DETAIL 1: LOADBREAK - 200 AMP (REF. STD. 37-368)



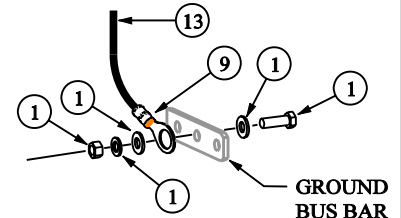
DETAIL 4: GROUND ROD



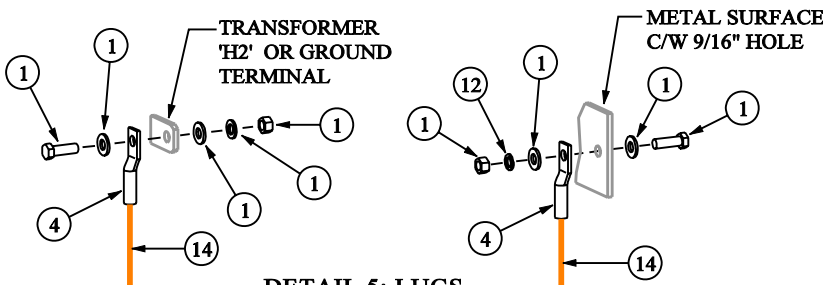
DETAIL 2: C.N. WIRES



**DETAIL 3:
BLEED WIRE
(TEMPORARY)**



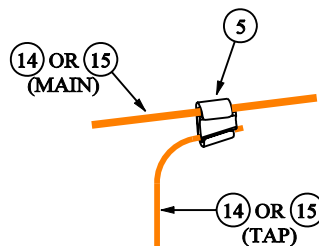
**DETAIL 3:
BLEED WIRE
(PERMANENT)**



DETAIL 5: LUGS

NOTES:

1. CONCENTRIC NEUTRAL (C.N.) WIRES SHALL BE SIZED AS:
 - #1/0 AWG (FOR #1/0 AWG 28 kV CABLE)
 - 250 kcmil (FOR 1000 kcmil 28 kV CABLE)
 - OTHER SIZE OF C.N. WIRES SHALL BE PER STD. 11U-208.
2. GROUND WIRE SHALL BE SIZED AS:
 - STANDARD #2/0 AWG Cu BARE (ITEM #14) OR
 - 350 kcmil Cu BARE (ITEM #15) TO BOND ALL C.N. WIRES OF 750 OR 1000 kcmil PRIMARY CABLES
3. CONNECTOR (ITEM #4 OR #5) SHALL DEPEND ON THE SIZE OF C.N. WIRES AND/OR GROUND WIRE.



DETAIL 6: TAP

PARTS LIST (REFERENCE PUSI STORES CATALOGUE)		
Item #	Description	Part Number
1	Bolt, Kit, Hex Head, Si. Br., 1/2" x 1-1/2"	110415
	Bolt, Kit, Hex Head, Si. Br., 1/2" x 2-1/2"	110425
2	Clamp, Hot Line	Std. 7-737
3	Connector - Ground Rod wire	134100
4	Connector, Lug, #1/0 Awg, Cu.	134587
	Connector, YJA Lug, 2/0, 2 hole x 1/2"	134586
5	Connector, Wejtap, 3/0 -2, 2/0-1/0	134023
	Connector, Wejtap, 2/0-2/0, 3/0-1/0, 4/0-2	134022
	Connector, Wejtap, 336- 1/0	134037
	Connector, Wejtap, 336 - 3/0	134041
	Connector, Wejtap, 336 - 4/0	134042
	Connector, Wejtap, 336 - 336	134043
7	Ground Rod, 3/4" x 10', Cu clad	184515
9	Terminal, Spade Tongue, #14 - #16 Cu	-
12	Washer, split for 1/2" bolt	-
13	Wire, Bleed, Cu # 14 AWG	-
14	Wire, Cu, 2/0 AWG -Stranded/Soft	120071
15	Conductor, 350 kcmil, Cu	120077

TYPICALLY ONE (1) ITEM PER CONNECTION

METRIC

LINEAR DIMENSIONS SHOWN IN MILLIMETRES

APPROVED BY:

Michael Mac

DATE: Sept. 27, 2011

UP2022

PRECAST PEDESTAL FOUNDATION
FOR METERING OR STREETLIGHTING
TYPICAL USE:

Pedestal solutions inc. Model SLM

CONSTRUCTION SPECIFICATIONS

Concrete Properties: 4500 PSI (32 MPa) Min Strength
6-8% Air Entrainment

Weight - 540 lbs / 220kg (Approximate)

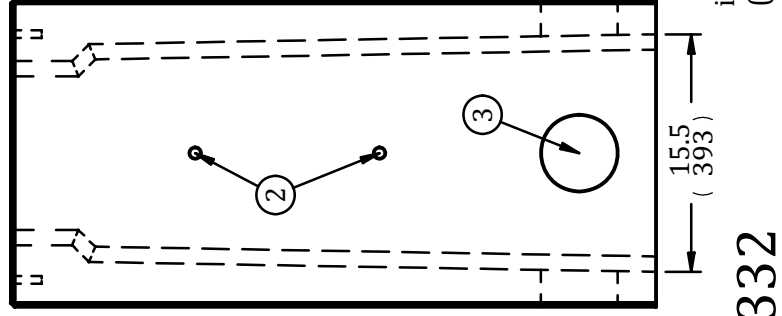
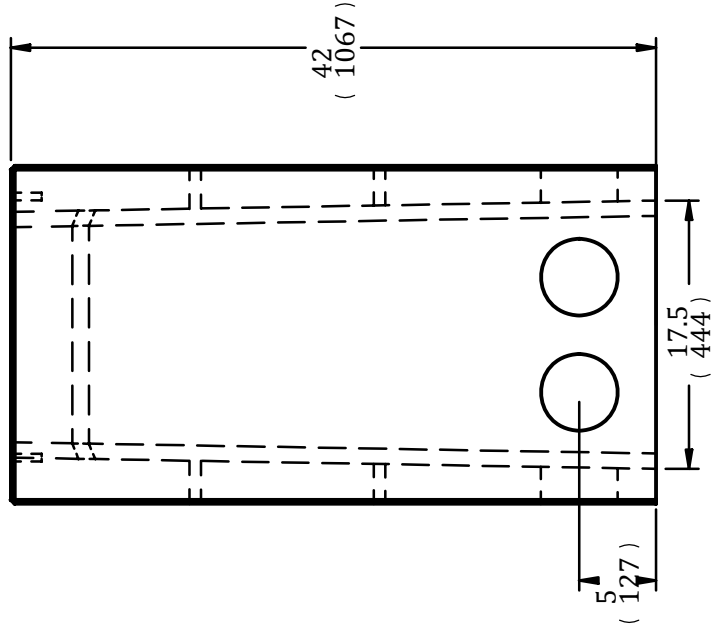
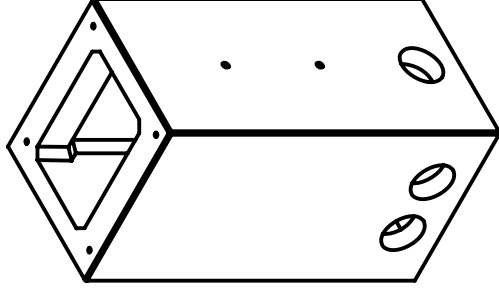
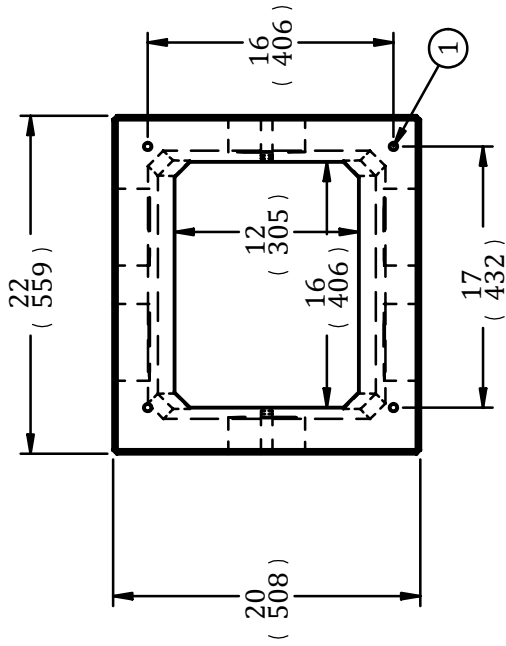
Notes:

- 1 - Four (4) 1/2" N.C. Nylon threaded inserts
- 2 - Four (4) 3/4" through holes
- 3 - Six (6) Cable entry PVC seals

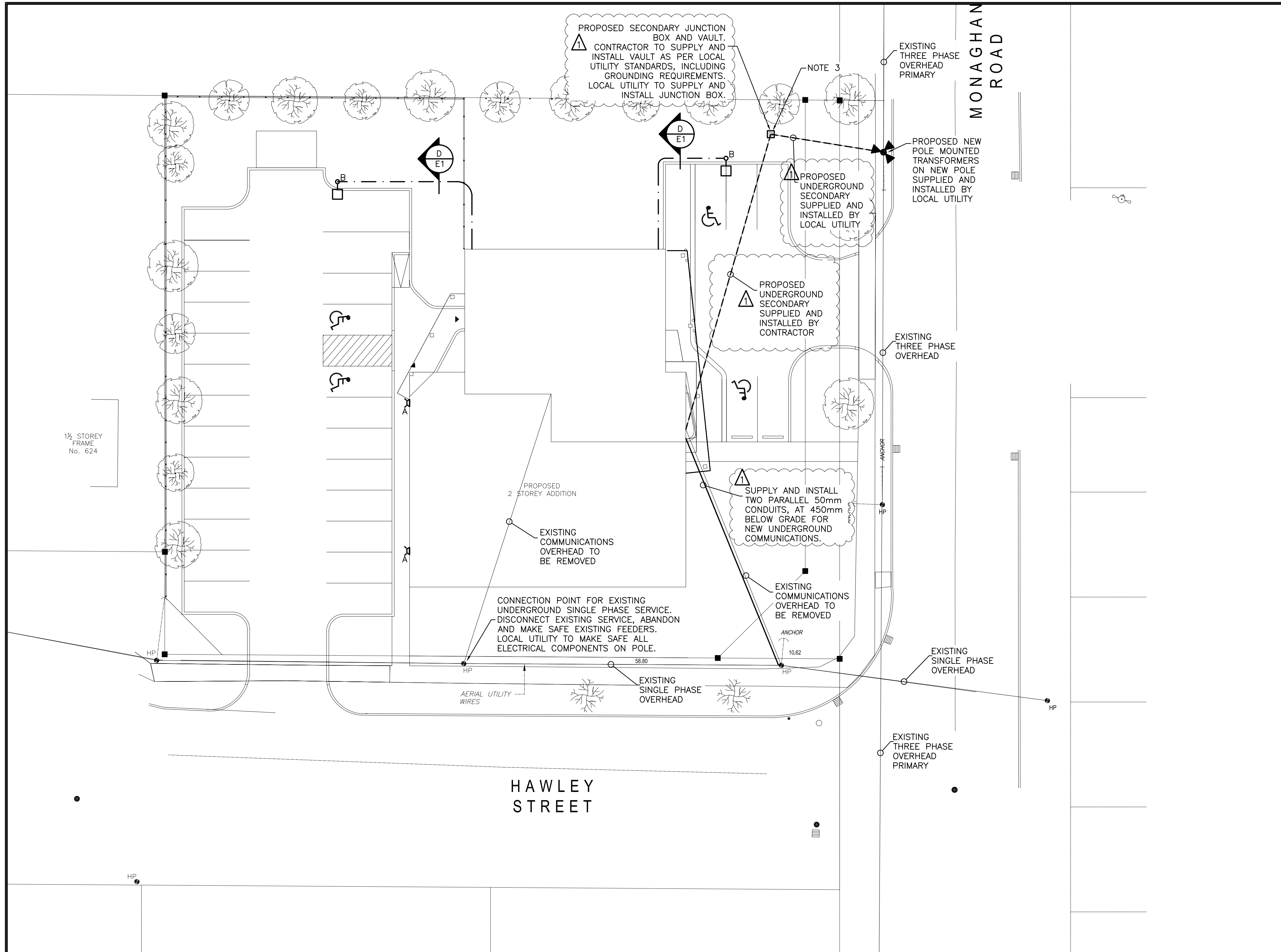
Delivery is made by crane-equipped trucks,
excavation must be ready, safe and accessible for
unloading from the rear of the truck.
Min overhead clearance of 18ft is required.
**ALL UNITS MUST BE HANDLED WITH PROPER
LIFTING EQUIPMENT .
(I.E. SPREADER BAR)**

DRAWN BY: RM

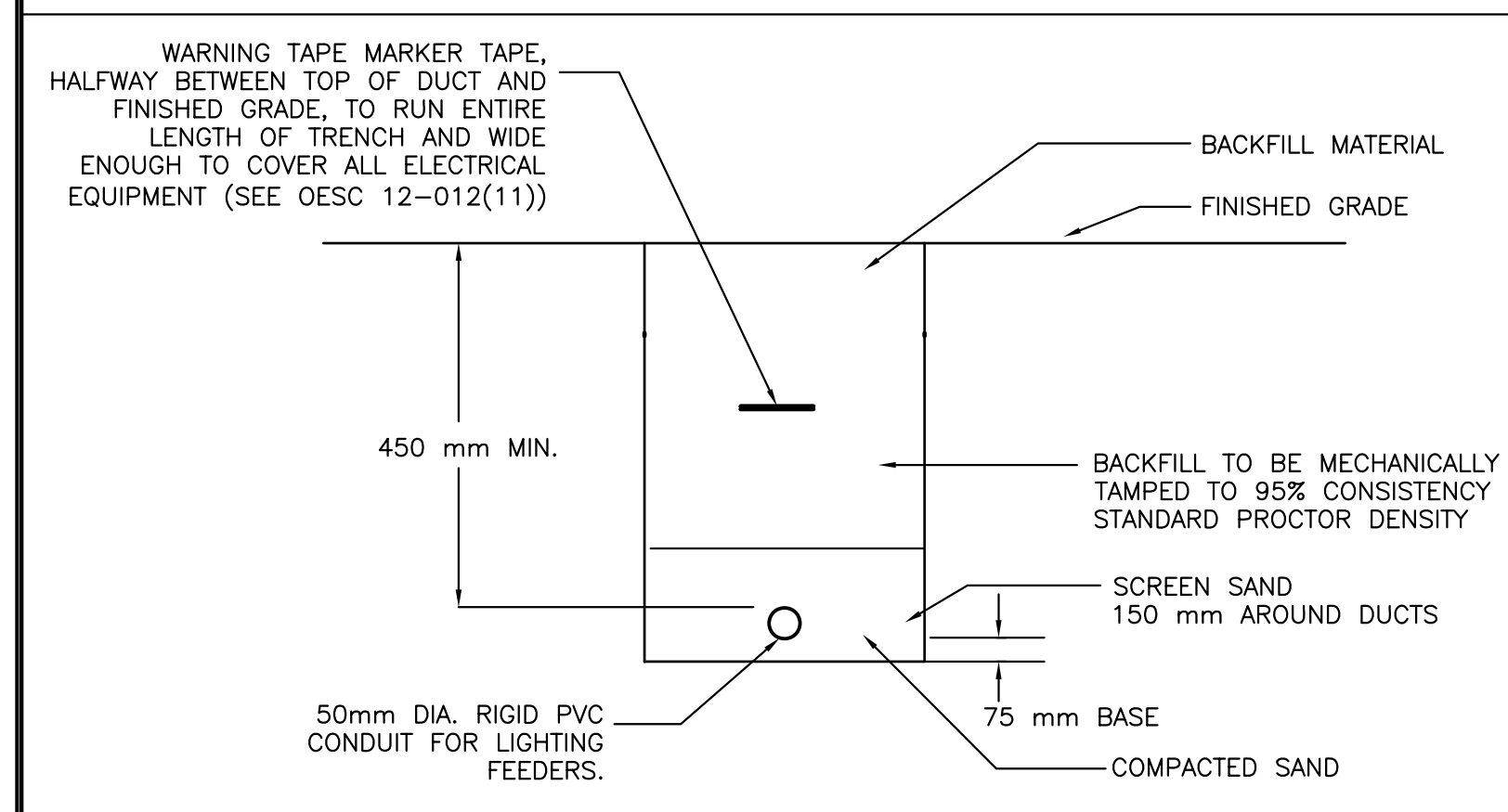
July 2010



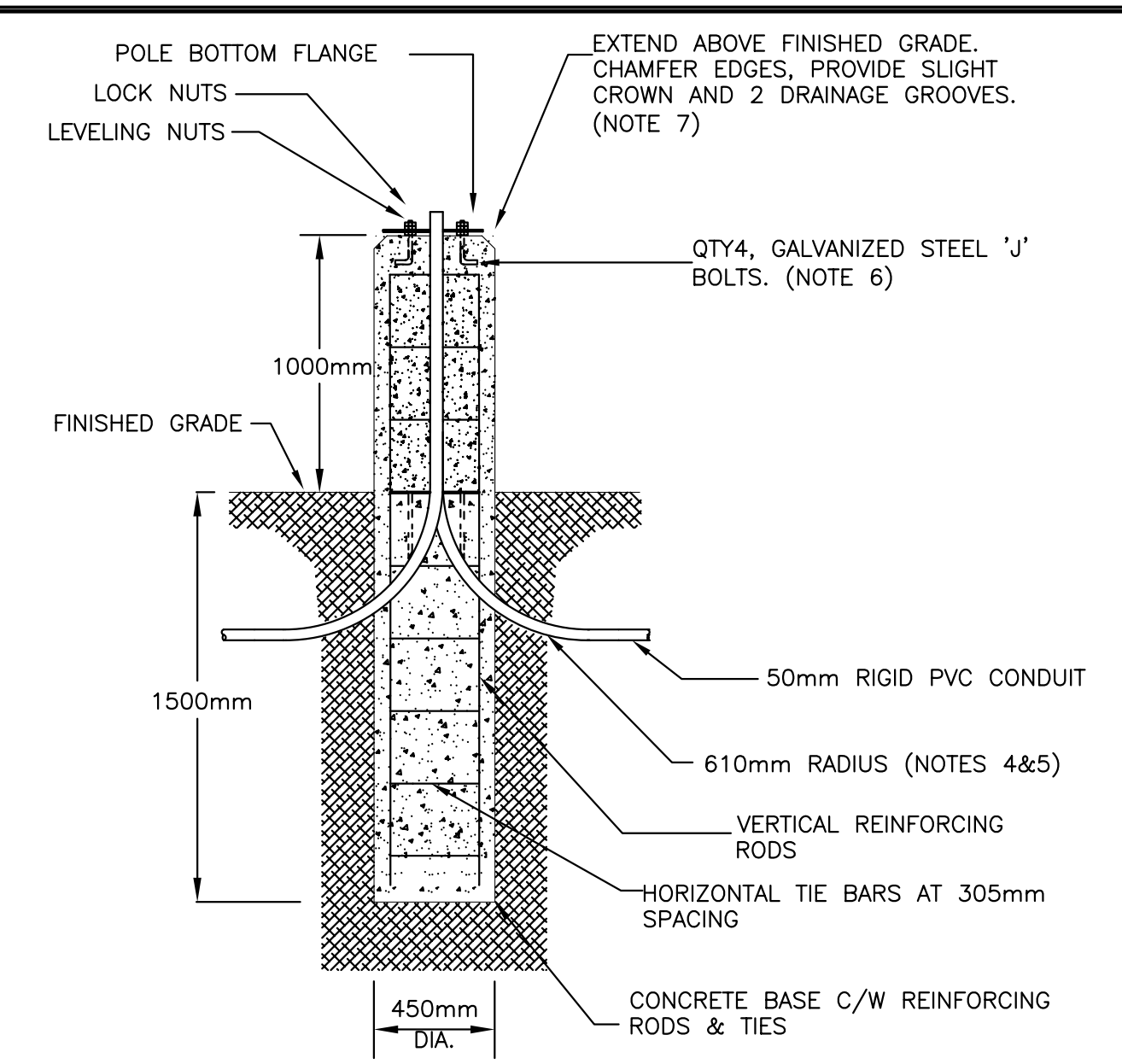
Call Toll Free: 1-877-269-1332



PROPOSED ELECTRICAL SITE PLAN
SCALE: 1:200

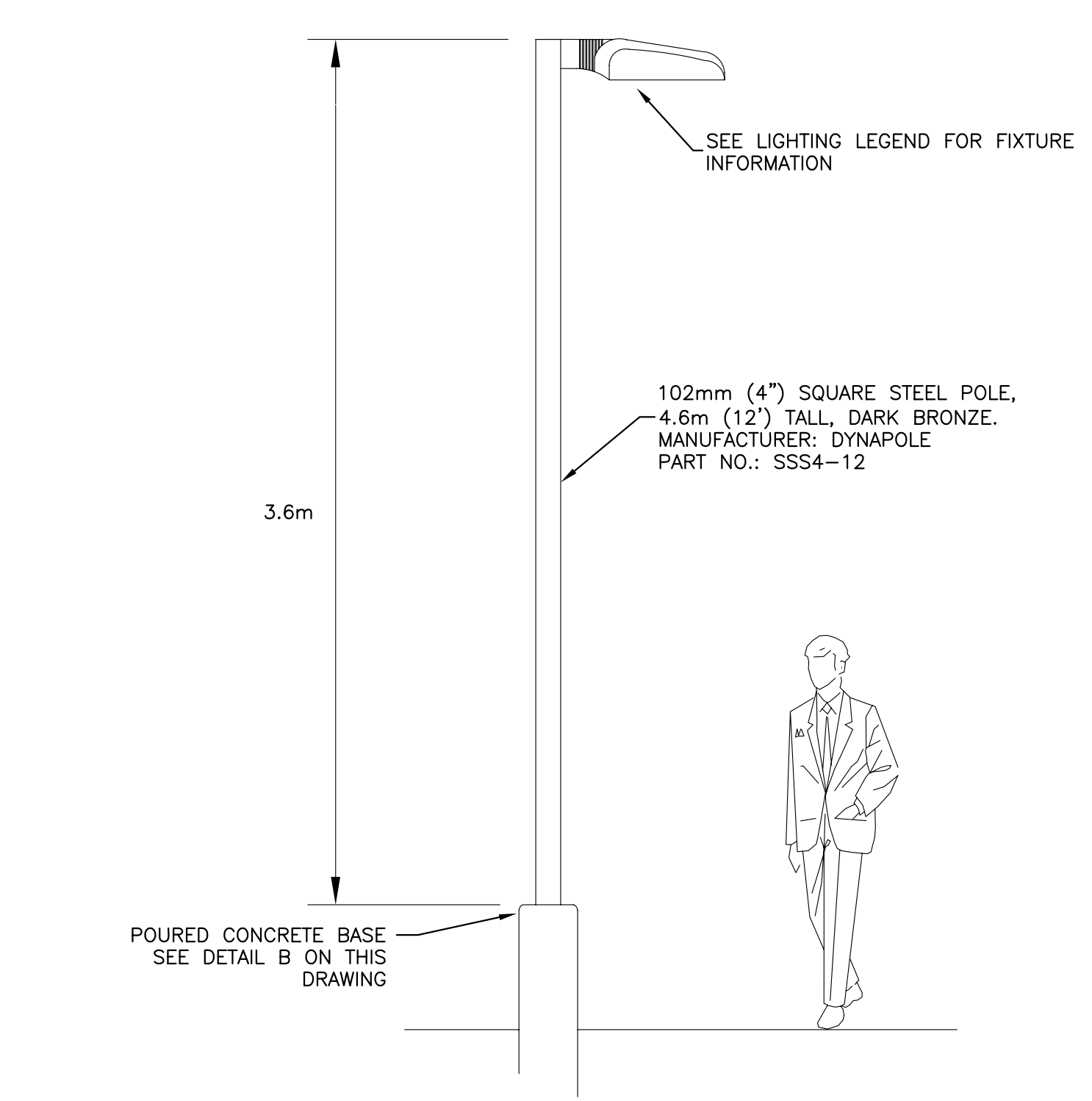


DIRECT BURIED LIGHTING CONDUIT FOR NON-VEHICULAR AREAS
SCALE: N.T.S.



- NOTES**
1. ALL CONCRETE IN BASES SHALL BE VIBRATED.
 2. 75mm MINIMUM CONCRETE COVER OVER REINFORCING.
 3. CLASS OF CONCRETE TO BE 20.7 MPa.
 4. MINIMUM OF TWO CONDUITS REQUIRED FOR EACH CONCRETE FOUNDATION UNLESS OTHERWISE SHOWN.
 5. CONTRACTOR TO VERIFY OPENING SIZE IN POLE BASE PLATE PRIOR TO SETTING CONDUIT SLEEVES.
 6. VERIFY BOLT CIRCLE AND BASE DIMENSIONS CORRESPOND TO ACTUAL LAMP STANDARD BASE.
 7. POLE TO DRAIN CLEAR. DO NOT BLOCK BASE OR GROUT.

POLE BASE DETAIL
SCALE: N.T.S.



TYPICAL POLE ASSEMBLY
SCALE: N.T.S.

LIGHTING SCHEDULE			
SYMBOL	DESCRIPTION	MANUFACTURER	MODEL No.
⊙ _A	10 LED WALL MOUNTED FIXTURE WITH 20 INPUT WATTS, 530 mA DRIVER, 1950 LUMEN OUTPUT, 4000K, TYPE IV MEDIUM DISTRIBUTION, 120V, DARK BRONZE IN COLOUR C/W 0-10V DIMMING	LITHONIA OR APPROVED EQUAL	DSXW1 LED-10C530-40K-T4M-120-DMG-DBXD
⊙ _B	20 LED POLE MOUNTED FIXTURE WITH 35 INPUT WATTS, 530 mA DRIVER, 3650 LUMEN OUTPUT, 4000K, FORWARD THROW MEDIUM DISTRIBUTION, 120V, SQUARE POLE MOUNTING, C/W INTEGRAL HOUSE SIDE SHIELD AND 0-10V DIMMING, DARK BRONZE IN COLOUR.	LITHONIA OR APPROVED EQUAL	DSXO LED-20C530-40K-TFTM-120-SPA-HS-DMG-DBXD

- NOTES:**
1. ALL LIGHTING FIXTURES SHOWN ON THIS DRAWING TO BE CONTROLLED WITH A COMMON PHOTOCELL AND A COMMON 24 HR, 7 DAY TIMER. ALL FIXTURES TO DIM TO 50% BETWEEN THE HOURS OF 11 PM AND 6 AM TO COMPLY WITH SB-10 REQUIREMENTS.
 2. ELECTRICAL SERVICE LAYOUT AS INSTRUCTED BY LOCAL UTILITY REPRESENTATIVE.
 3. OWNERSHIP DEMARCATION POINT TO BE THE CONNECTIONS INSIDE SECONDARY JUNCTION BOX. PETERBOROUGH DISTRIBUTION INC. TO PERFORM ALL TERMINATIONS.

NO.	DESCRIPTION	DATE	BY
1	ISSUED FOR ADDENDUM E1	15/07/15	HK
0	ISSUED FOR PERMIT	15/03/16	HK

REVISIONS

Kirkland Engineering Ltd BCIN: 28857

PROJECT NORTH

NOT TO BE USED FOR CONSTRUCTION UNLESS SIGNED BY THE ENGINEER.

THIS DRAWING IS AN INSTRUMENT OF PROFESSIONAL SERVICE FOR USE EXCLUSIVELY ON THIS PROJECT. RE-USE OF ANY PORTION OF THIS DOCUMENT IS PROHIBITED.

Copyright 2015 Kirkland Engineering Ltd

570 Water Street
Peterborough, Ontario
K9H 3M8
p. (705) 745-2831
f. (705) 741-1526
www.kirklandeng.com

PROJECT
THE FIREHOUSE COMPLEX

721 Monaghan Road
Peterborough, ON

TITLE
ELECTRICAL SITE PLAN

DESIGN	HK/DM	SCALE AS NOTED
DRAWN	HK	DWG NO.
CHECKED	IMK	E1
APPROVED	IMK	
PROJECT	5565	